

CL SEAL-M Design Lined mechanically sealed single stage centrifugal pump. Dimensions and delivery data to ISO/EN 2858/5199 Frame-mounted. ATEX 94/9/EG.

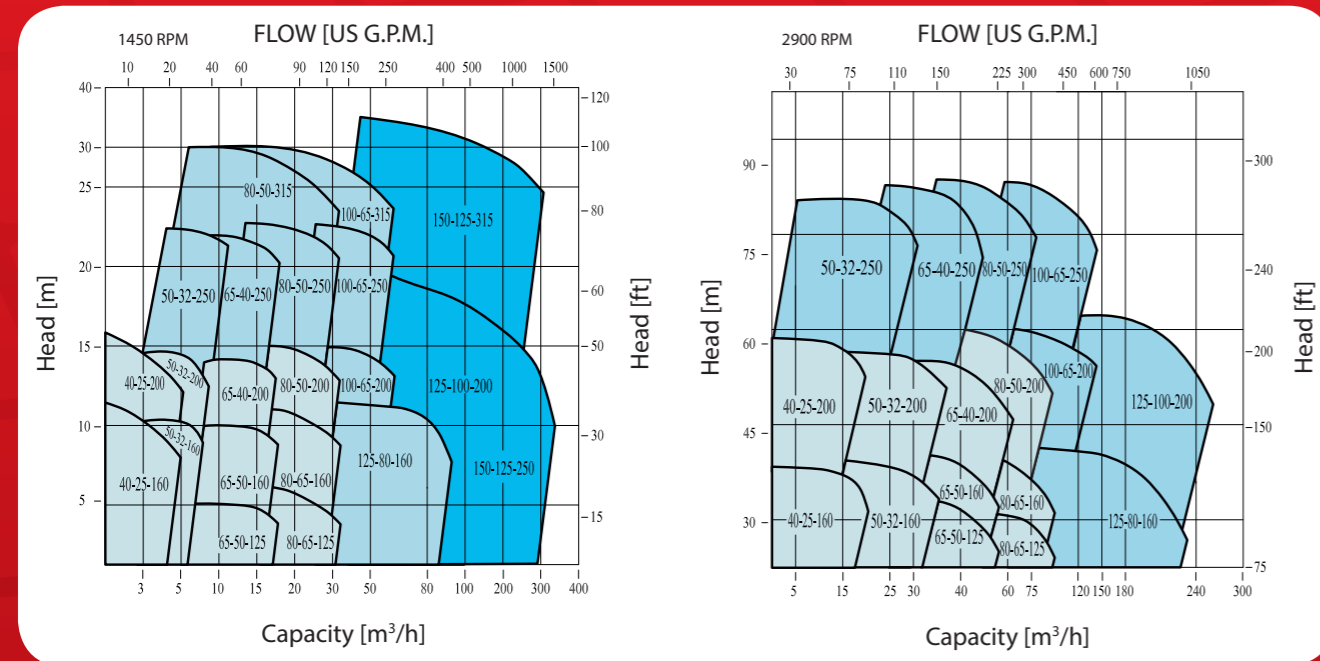
Connections:

Flange rating per ANSI B16.5 Class 150, DIN PN 16

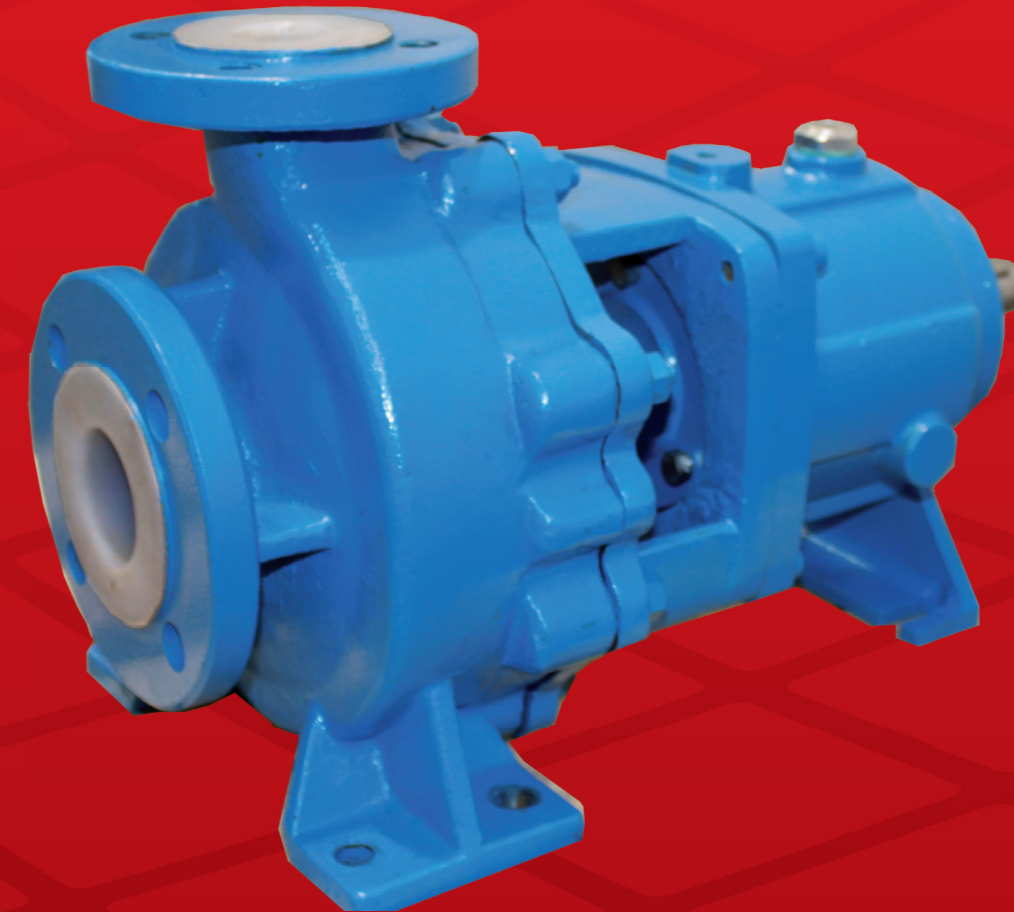
Operating Limits

- Flow: up to 340 m³/h
- Head: up to 86 m (450 ft)
- Temperature range: -30 °C (-22 °F) to +120 °C (+250 °F);
- System pressure: max. 16 bar (290 psi)
- Capability of handling solids depending on share, shape, hardness: consult factory

Performance curves



CENTRIFUGAL, SINGLE STAGE, LINED, ACCORDING TO ISO 2858 - 5199. MECHANICAL SEAL CHAMBER ACCORDING TO ISO 3069/ UNI EN 12756



CL SEAL-M

Prodotto da:



A unit of
Mischiatti
GROUP

M PUMPS s.r.l. - Via dell'Artigianato, 120
45015 Corbola (Ro) - Italy - www.mpumps.it
Tel. +39 0426 346304 - Fax +39 0426 349126

Per ulteriori informazioni contattare:



CL SEAL-M Series

CL SEAL-M Series are centrifugal single stage lined for chemical industry, according to ISO 2858 and 5199.

A high thickness PFA lined coating made by transfer molding ensure exceptional corrosion resistance and allows to these pumps to operate up to +120°C and system pressure up to 16 bar.

Wide possibility to install different mechanical seals, single, double, packing of the major brands on the market.

PUMP DETAILS

Pump casings

Robust cast iron (ASTM A395) casings absorbs pipework forces and eliminates need for expansion joint. High thickness transfer moulded unfilled, pure PFA lining for best chemical compatibility.

Nozzles

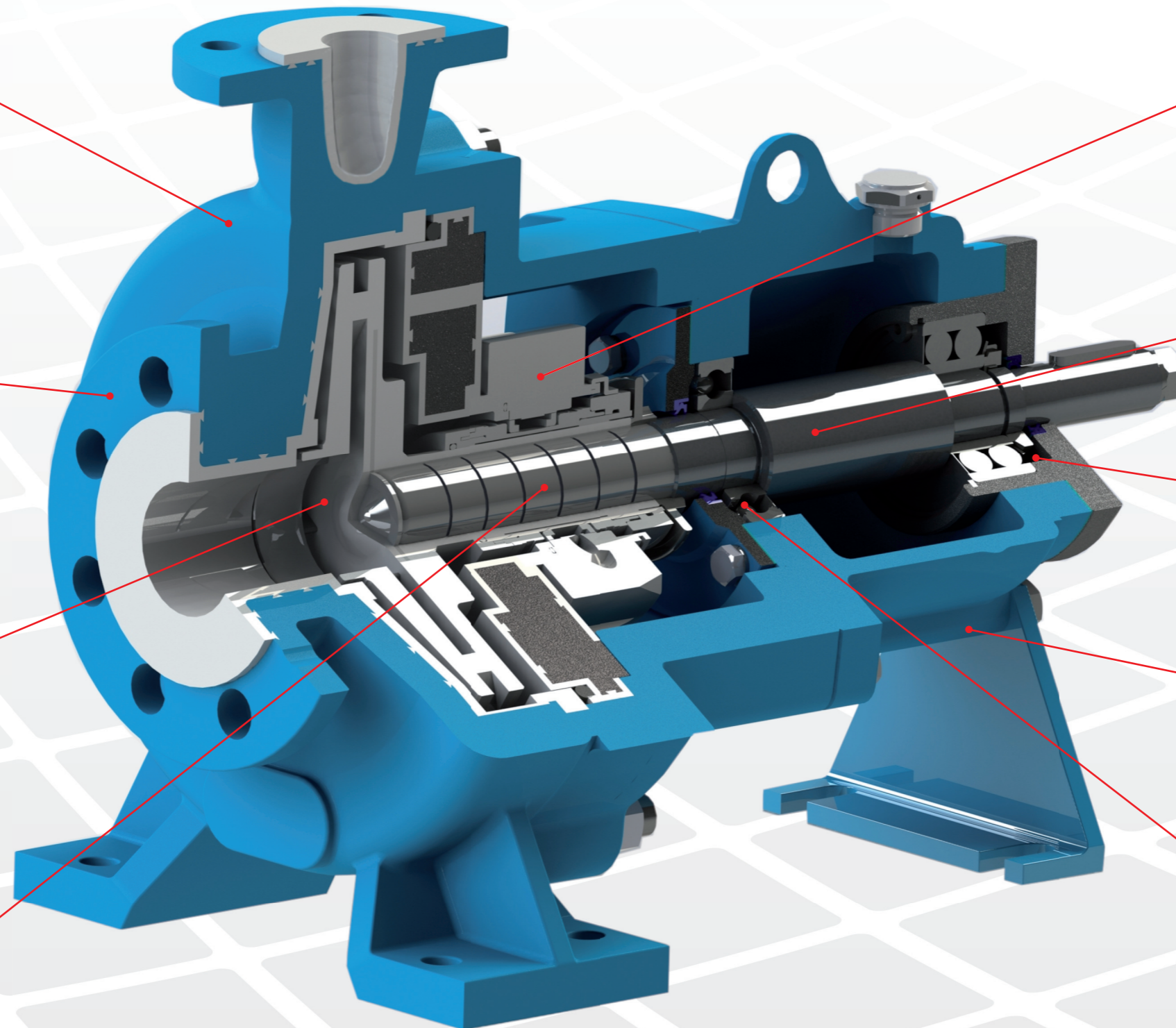
Suction and discharge connections are flanged CLASS 150 RF or DIN PN16.

Impeller

Multiple closed impellers for most casings to meet specific hydraulic requirements. Balanced to stringent requirements of ISO EN 9906:2000.

Pump Shaft

Pump shaft is made in one piece with impeller fully lined. No o-ring sealed, for best quality.



Mechanical shaft seals

The CL SEAL-M pumps will be equipped with mechanical seals and sealing systems to suit perfectly to your application. Various configurations available, single, double, dry, wet mechanical seal can be supply.

Shaft

- Fully machined
- Large diameters
- Low stress design
- Minimum deflection

Bearing Isolator

Lip seal protection is standard, labyrinth seals on request

Surfaces protection

High thickness two layer epoxy painting, stainless steel screws.

Bearings

- 7300 Series 40° angular contact, trust bearing with machined brass cages.
- 6200 series radial ball bearing with C3 clearance - acc. to ISO 5199:2002.
Ball bearings greased for life is standard configuration.
Oil bath system with constant level oiler available on request