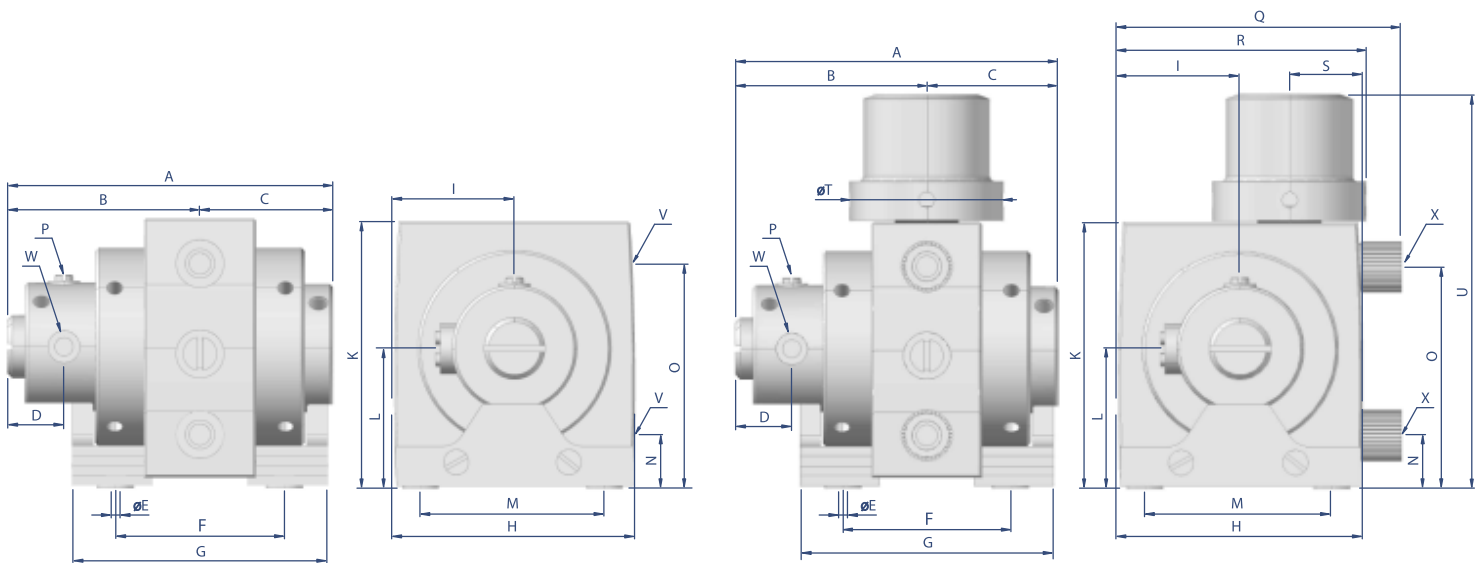


DIMENSIONS



mm	A	B	C	D	E	F	G	H	I	K	L	M	N	O	Q	R	S	T	U	V	W	X
SEMI 10	184.0	112.0	72.0	28.0	10.5	95.0	145.0	114.0	57.0	133.0	68.0	79.5	37.0	105.0	155.0	155.0	36.0	110.0	245.0	3/8" NPT	1/4" NPT	3/8"
SEMI 20	207.0	109.0	98.0	35.0	10.5	109.0	163.0	154.0	75.0	172.0	91.0	115.0	32.0	139.0	200.0	163.0	46.0	110.0	287.0	1/2" NPT	1/4" NPT	1/2"
SEMI 50	255.0	157.0	98.0	46.0	19.0	113.0	195.0	207.0	104.0	215.0	110.0	165.0	33.0	177.0	258.0	224.0	59.0	150.0	346.0	1" NPT	1/4" NPT	1"
SEMI 100	315.0	196.0	119.0	57.0	19.0	138.0	238.0	269.0	135.0	267.0	138.0	225.0	39.0	223.0	322.0	298.0	80.0	213.0	428.0	1 1/4" NPT	1/4" NPT	1 1/4"

in	A	B	C	D	E	F	G	H	I	K	L	M	N	O	Q	R	S	T	U	V	W	X
SEMI 10	7.2	4.4	2.8	1.1	0.4	3.7	5.7	4.5	2.2	5.2	2.7	3.1	1.5	4.1	6.1	6.1	1.4	4.3	9.6	3/8" NPT	1/4" NPT	3/8"
SEMI 20	8.1	4.3	3.9	1.4	0.4	4.3	6.4	6.1	3.0	6.8	3.6	4.5	1.3	5.5	7.9	6.4	1.8	4.3	11.3	1/2" NPT	1/4" NPT	1/2"
SEMI 50	10.0	6.2	3.9	1.8	0.7	4.4	7.7	8.1	4.1	8.5	4.3	6.5	1.3	7.0	10.2	8.8	2.3	5.9	13.6	1" NPT	1/4" NPT	1"
SEMI 100	12.4	7.7	4.7	2.2	0.7	5.4	9.4	10.6	5.3	10.5	5.4	8.9	1.5	8.8	12.7	11.7	3.1	8.4	16.9	1 1/4" NPT	1/4" NPT	1 1/4"

W - air supply P = 1/4" NPT air supply for counting pneumatic strokes X = pipe-outer diameter special equipment FLARETEK®