



- 1 Double-lip sealing system
- 2 Standard strip insert
- 3 Anchoring ring

The coupling for plastic pipes

NORMACONNECT® PLAST GRIP/PLAST GRIP E axial restraint pipe couplings are used to connect plastic pipes.

The specially designed anchoring ring, featuring flat rows of teeth, engages into the pipe surface without damaging the plastic material. The force applied is distributed evenly across the pipe surface.

Advantages at a glance

- Also usable for weak plastic pipes, PP, PE
- Also available with hollow trunnions for weight-saving

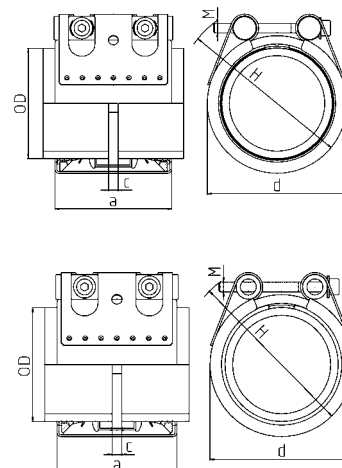
Information

- Sizes: 40.0 mm - 406.0 mm
- Working pressure: 16.0 - 6.0 bar
- Material: AISI 304, AISI 316 Ti
- EPDM:
 - Sizes from 26.9 mm up to 168.3 mm - 30 °C up to + 125 °C
 - Sizes > 180.0 mm: - 20 °C up to + 80 °C
- NBR: - 20 °C up to + 80 °C

Materials

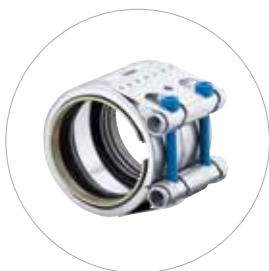
| W1 | W2 | W3 | W4 | W5 |
|----|----|----|----|----|
| | | | | x |

Technical data & ordering information



PLAST GRIP/PLAST GRIP E

NORMACONNECT® PLAST GRIP E axial restraint pipe couplings are used to connect plastic pipes.



Main advantage

Weight-saving

Material

W5

Technical data & Ordering information

NORMACONNECT® FGR PLAST GRIP E

| Ø (O.D.) | Designation | Clamping ranges | PN ¹ | WP ² | C max | Dimensions (approx.) | | | Weight (approx.) | Hex socket locking bolts | | W5 Product No. | |
|-------------|---------------------|--|-----------------|-----------------|----------|-------------------------|-----------|-----------|---------------------|--------------------------|---------------------------|-------------------|---------------|
| | | O _{dmin} - O _{dmax} | [bar] | [bar] | (mm) | a (mm) | d (mm) | H (mm) | (kg/pc.) | Thread | Tightening torque (Nm) | EPDM | NBR |
| 40.0 | PLAST GRIP E W5 40 | 39.0 - 40.5 | 10 | 16 | 8 | 62 | 60 | 80 | 0.48 | M 8 SW 6 | 15 | 0581 9360 040 | 0581 8660 040 |
| 42.4 | PLAST GRIP E W5 42 | 41.7 - 43.0 | 10 | 16 | 8 | 62 | 65 | 85 | 0.48 | M 8 SW 6 | 15 | 0581 9360 042 | 0581 8660 042 |
| 44.5 | PLAST GRIP E W5 44 | 42.0 - 46.0 | 10 | 16 | 8 | 62 | 70 | 90 | 0.5 | M 8 SW 6 | 15 | 0581 9360 044 | 0581 8660 044 |
| 48.3 | PLAST GRIP E W5 48 | 47.6 - 49.5 | 10 | 16 | 8 | 62 | 70 | 90 | 0.52 | M 8 SW 6 | 15 | 0581 9360 048 | 0581 8660 048 |
| 50.0 | PLAST GRIP E W5 50 | 49.0 - 50.5 | 10 | 16 | 8 | 62 | 70 | 90 | 0.52 | M 8 SW 6 | 15 | 0581 9360 050 | 0581 8660 050 |
| 60.3 | PLAST GRIP E W5 60 | 59.5 - 61.0 | 10 | 16 | 17 | 78 | 85 | 105 | 0.67 | M 8 SW 6 | 20 | 0581 9360 060 | 0581 8660 060 |
| 63.0 | PLAST GRIP E W5 63 | 62.0 - 63.5 | 10 | 16 | 17 | 78 | 85 | 105 | 0.67 | M 8 SW 6 | 20 | 0581 9360 063 | 0581 8660 063 |
| 75.0 | PLAST GRIP E W5 75 | 74.0 - 76.0 | 10 | 16 | 25 | 98 | 100 | 120 | 1.33 | M 10 SW 8 | 30 | 0581 9360 075 | 0581 8660 075 |
| 76.1 | PLAST GRIP E W5 76 | 75.0 - 77.0 | 10 | 16 | 25 | 98 | 100 | 120 | 1.33 | M 10 SW 8 | 30 | 0581 9360 076 | 0581 8660 076 |
| 88.9 | PLAST GRIP E W5 88 | 88.0 - 90.0 | 10 | 16 | 25 | 98 | 110 | 130 | 1.42 | M 10 SW 8 | 30 | 0581 9360 088 | 0581 8660 088 |
| 90.0 | PLAST GRIP E W5 90 | 89.0 - 91.0 | 10 | 16 | 25 | 98 | 110 | 130 | 1.42 | M 10 SW 8 | 30 | 0581 9360 090 | 0581 8660 090 |
| 101.3 | PLAST GRIP E W5 101 | 100.4 - 102.8 | 10 | 16 | 25 | 98 | 125 | 145 | 1.58 | M 10 SW 8 | 30 | 0581 9360 101 | 0581 8660 101 |
| 104.0 | PLAST GRIP E W5 104 | 102.8 - 106.1 | 10 | 16 | 25 | 98 | 125 | 145 | 1.6 | M 10 SW 8 | 30 | 0581 9360 104 | 0581 8660 104 |
| 108.0 | PLAST GRIP E W5 108 | 108.8 - 111.4 | 10 | 16 | 25 | 98 | 130 | 150 | 1.62 | M 10 SW 8 | 30 | 0581 9360 108 | 0581 8660 108 |
| 110.0 | PLAST GRIP E W5 110 | 109.0 - 111.0 | 10 | 16 | 25 | 98 | 130 | 150 | 1.66 | M 10 SW 8 | 30 | 0581 9360 110 | 0581 8660 110 |
| 114.3 | PLAST GRIP E W5 114 | 113.0 - 115.5 | 10 | 16 | 25 | 98 | 135 | 155 | 1.66 | M 12 SW 10 | 40 | 0581 9360 114 | 0581 8660 114 |
| 125.0 | PLAST GRIP E W5 125 | 124.0 - 126.0 | 10 | 16 | 35 | 115 | 140 | 160 | 2.42 | M 12 SW 10 | 40 | 0581 9360 125 | 0581 8660 125 |
| 129.0 | PLAST GRIP E W5 129 | 127.6 - 131.1 | 10 | 16 | 35 | 115 | 140 | 160 | 3.06 | M 12 SW 10 | 40 | 0581 9360 129 | 0581 8660 129 |
| 133.0 | PLAST GRIP E W5 133 | 131.5 - 134.4 | 10 | 16 | 35 | 115 | 150 | 170 | 3.16 | M 12 SW 10 | 40 | 0581 9360 133 | 0581 8660 133 |
| 140.0 | PLAST GRIP E W5 140 | 139.0 - 141.0 | 10 | 16 | 35 | 115 | 160 | 180 | 3.18 | M 12 SW 10 | 50 | 0581 9360 140 | 0581 8660 140 |
| 154.0 | PLAST GRIP E W5 154 | 152.3 - 156.1 | 10 | 16 | 35 | 115 | 170 | 190 | 3.27 | M 12 SW 10 | 50 | 0581 9360 154 | 0581 8660 154 |
| 159.0 | PLAST GRIP E W5 159 | 157.3 - 160.7 | 10 | 16 | 35 | 115 | 180 | 200 | 3.39 | M 12 SW 10 | 50 | 0581 9360 159 | 0581 8660 159 |
| 160.0 | PLAST GRIP E W5 160 | 159.0 - 162.0 | 10 | 16 | 35 | 115 | 180 | 200 | 3.45 | M 12 SW 10 | 60 | 0581 9360 160 | 0581 8660 160 |
| 168.3 | PLAST GRIP E W5 168 | 166.5 - 170.1 | 10 | 16 | 35 | 115 | 190 | 200 | 3.48 | M 12 SW 10 | 60 | 0581 9360 168 | 0581 8660 168 |

NORMACONNECT® FGR PLAST GRIP

| Ø (O.D.) | Designation | Clamping ranges | PN ¹ | WP ² | C max | Dimensions (approx.) | | | Weight (approx.) | Hex socket locking bolts | | W5 Product No. | |
|-------------|---------------------|--|-----------------|-----------------|----------|-------------------------|-----------|-----------|---------------------|--------------------------|---------------------------|-------------------|---------------|
| | | O _{dmin} - O _{dmax} | [bar] | [bar] | (mm) | a (mm) | d (mm) | H (mm) | (kg/pc.) | Thread | Tightening torque (Nm) | EPDM | NBR |
| 180.0 | PLAST GRIP W5 180 | 178.0 - 182.0 | - | 16 | 35 | 142 | 210 | 240 | 7.6 | M 12 SW 10 | 60 | 0581 8350 180 | 0581 8650 180 |
| 200.0 | PLAST GRIP W5 200 | 198.0 - 202.0 | - | 16 | 35 | 142 | 230 | 260 | 8.1 | M 12 SW 10 | 60 | 0581 8350 200 | 0581 8650 200 |
| 219.1 | PLAST GRIP W5 219 | 217.0 - 222.0 | - | 16 | 35 | 142 | 250 | 280 | 8.6 | M 12 SW 10 | 60 | 0581 8350 219 | 0581 8650 219 |
| 225.0 | PLAST GRIP W5 225 | 222.0 - 227.0 | - | 10 | 35 | 142 | 255 | 285 | 8.7 | M 12 SW 10 | 60 | 0581 8350 225 | 0581 8650 225 |
| 250.0 | PLAST GRIP W5 250 | 247.0 - 253.0 | - | 10 | 35 | 142 | 280 | 310 | 9.4 | M 12 SW 10 | 80 | 0581 8350 250 | 0581 8650 250 |
| 273.0 | PLAST GRIP W5 273 | 271.0 - 276.0 | - | 10 | 35 | 142 | 305 | 335 | 9.9 | M 16 SW 14 | 100 | 0581 8350 273 | 0581 8650 273 |
| 280.0 | PLAST GRIP W5 280 | 277.0 - 283.0 | - | 10 | 35 | 142 | 310 | 340 | 10.1 | M 16 SW 14 | 100 | 0581 8350 280 | 0581 8650 280 |
| 315.0 | PLAST GRIP W5 315 | 311.0 - 318.0 | - | 10 | 35 | 142 | 345 | 375 | 11 | M 16 SW 14 | 100 | 0581 8350 315 | 0581 8650 315 |
| 323.9 | PLAST GRIP W5 323 | 320.0 - 327.0 | - | 6 | 35 | 142 | 355 | 385 | 11.2 | M 16 SW 14 | 100 | 0581 8350 323 | 0581 8650 323 |
| 355.0 | PLAST GRIP W5 355 | 352.0 - 359.0 | - | 6 | 35 | 142 | 385 | 415 | 12 | M 16 SW 14 | 120 | 0581 8350 355 | 0581 8650 355 |
| 400.0 | PLAST GRIP W5 400 | 396.0 - 404.0 | - | 6 | 35 | 142 | 430 | 460 | 13.1 | M 16 SW 14 | 120 | 0581 8350 400 | 0581 8650 400 |
| 406.4 | PLAST GRIP W5 406.4 | 402.0 - 410.0 | - | 6 | 35 | 142 | 440 | 470 | 13.3 | M 16 SW 14 | 120 | 0581 8350 406 | 0581 8650 406 |

PN¹ (Nominal Pressure) is the max. admissible working pressure in shipbuilding, based on a safety factor of ≥ 4.
 WP² is the max. working pressure in industrial applications, with a safety factor as per NORMA specification.