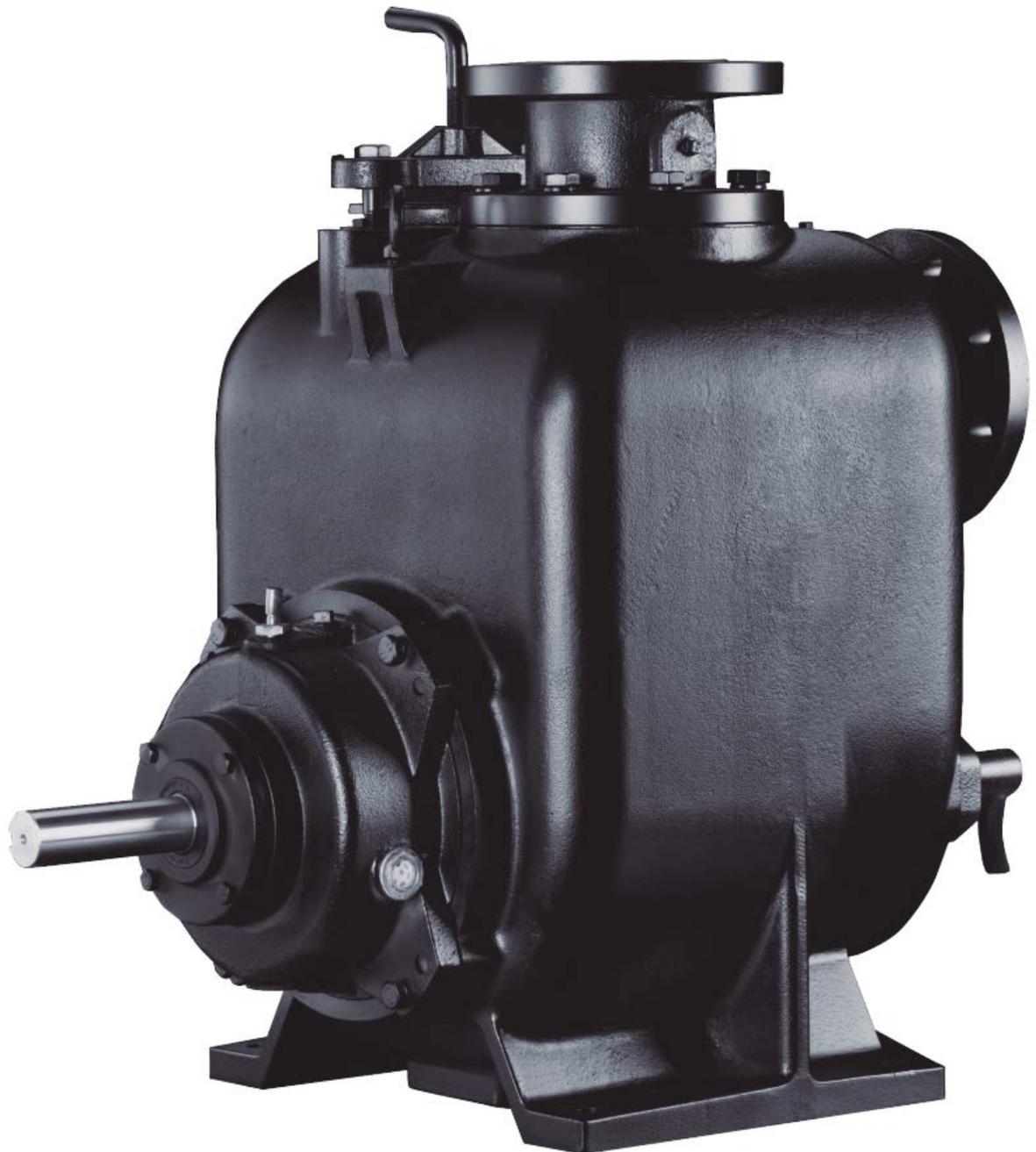


hydroo[®]

BPI-CHEMPUMP

WDROO SERIES
WPF/WPX

**Non-clogging
self-priming
sewage pump
50Hz**



PRESENTATION

Hydroo Pump Industries SL is an enterprise specialised in the research, development and large-scale production of Stainless Steel centrifugal pumps. We have a vertical integration of the production processes, standing out stamping, welding and motor wiring in 6 value centers and production units. All of them with a high performance management on pump engineering and production quality.

HYDROO has set up a wide range of pumping solutions for many applications as building services, industry, irrigation and industrial process. Customers enjoy of the highest performance in booster sets and pressurization, fire-fighting sets, pumping of underground water, HVAC, drainage and sewage, utilities, desalination and OEM integrations. Versions in 50 Hz and 60 Hz are available, as well as any modification on materials, on request.

Global water challenges require excellence in pumping technologies

and close cooperation between pump designers, manufacturers and pump engineers. In order to better meet the customers' needs and requirements our company is facing an expansion of its operations worldwide, providing timely and effective services in more than 30 countries. With tight relationships in many regions, we're proud to introduce a new regional value center for Europe. We are based near Barcelona at the Girona industrial area. Hydroo is a trademark to forge excellent and successful business relationships with our value customers by means of an operative assembling unit and an application engineering unit. HYDROO trademark wants to symbolize the firm commitment for a high level service to our value partners.

At Hydroo we bet on a high level service to our value pump partners.

WPF WPX

Non-clogging
self-priming
sewage pump

Applications

Rain water and common
sewage
Industrial sewage water
Wine and sugar industry
Sewage water in the city

Description

Back-pull-out construction convenient for maintenance and trouble shooting.

Daily maintenance can be performed rapidly by common head tools, saving time and labor.

Stable performance, reliable operation.

Performance range

Flow range: up to 700 m³/h

Head: up to 35 m

Temperature: up to 40 °C

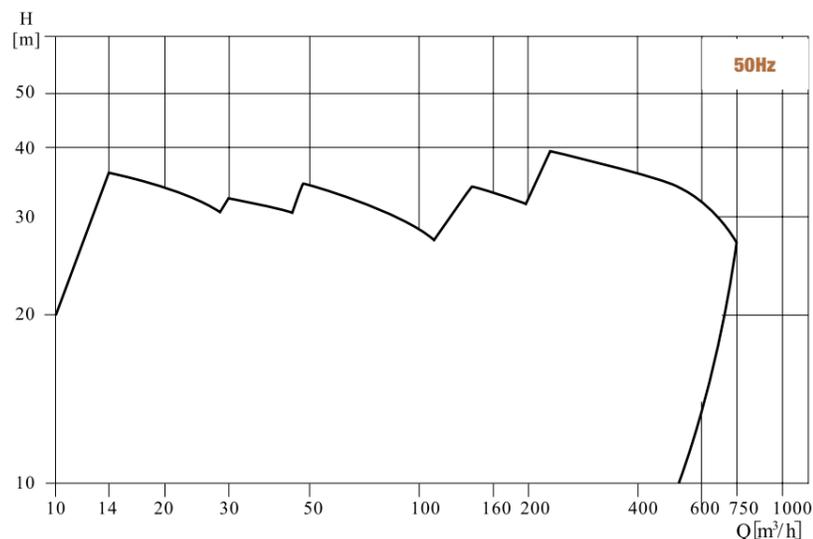
Power: up to 75 kW

Standard material

Pump casing is made of cast iron or ductile cast iron, impeller can be cast iron or stainless steel



Performance scope



Features

WP Non-clogging self-priming sewage pump is our latest developed product, and is suitable for the treatment project of municipal sewage and industrial sewage as well as stage treatment and concentrated treatment system of various sewages. It's known as "King of Self-priming Sewage Pump", and it is the most ideal new-generation sewage product.

– Stable performance, reliable operation.

– Rapid self-priming, high suction head.

– Back-pull-out construction: Convenient for maintenance and troubleshooting. Daily maintenance can be performed rapidly by common tools, saving time and labor.

– Semi-open impeller structure and non-clogging design: Strong passing capacity. Diameter of maximum passing grain for WP-6 is 76mm.

– Convenient usage: The pump can be mounted near cesspit, with only the suction pipe down in the liquid. (The pump shall be filled with water for first start).

Application

– Non-flammable and non-explosive liquid.

– Rain water and common sewage.

– Municipal drainage project, construction site, drainage station of people's air defense system.

– Industrial sewage of light industry, paper mill, textile, food processing plant, chemical industry, electric utility, mines, etc.

– Sewage discharge in the residential area.

– Sewage and deposit of water purifying system.

– Tanning industry, sewage of slaughter house, fish breeding in the river and pond.

– Wine and sugar industry.

– Discharge not strongly corrosive but seriously polluted sewage.

Operating limits

– Liquid temperature: 0~40 °C, medium density $\leq 1.2 \times 10^3 \text{ kg/m}^3$, pH5~9.

– Volume ratio of solids in the medium $\leq 2\%$.

– Diameter of maximum grain: WP-2 38mm, WP-3 63mm, WP-4/WP-6/WP-8/ WP-10 76mm.

– Ambient temperature: $\leq 40 \text{ }^\circ\text{C}$.

– Altitude: Max. 1,000m.

– Flow range: 10m³/h~750m³/h.

– Head range: 3m~38m.

– Power: 1.1 kW~90kW.

– Max. Working pressure: See Performance Curve.

– Max. Suction head: See Performance Table.

Installation conditions

– Suction pipe can be soft pipe or hard pipe, the material of pipes shall be suitable for the pumped liquid. Soft pipe shall be hard enough to prevent from flat when suction.

– Suction pipe shall be short and straight, use less joints and accessories as less as possible. For joints, the radius shall be bigger.

– The distance between the submersible suction pipe in the sump and the wall of the sump shall be 1.5 times than the radius of the pipe. Suction pipe shall not be installed in the sump near the whirlpool. If there is, there shall be one baffle between suction pipe and water. The distance shall be 1.5 times than the radius of the pipe.

– If there are two suction in the sump, the pipe distance shall be three times than the radius of the pipe.

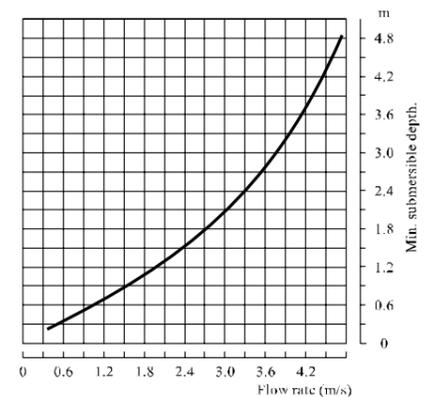
– Submersible depth of the submersible suction pipe:

The submersible depth of the suction pipe relates to the flow rate in the pipe. See drawing one

To reduce the submersible depth, we can enlarge the pipe radius or reduce the flow rate of the water. We can use increasing joint to enlarge the radius pipe. The suggested times is 1.3 times to 1.5 times.

– In flooded status, there is inlet pressure. It shall not exceed 50% of the max. working pressure.

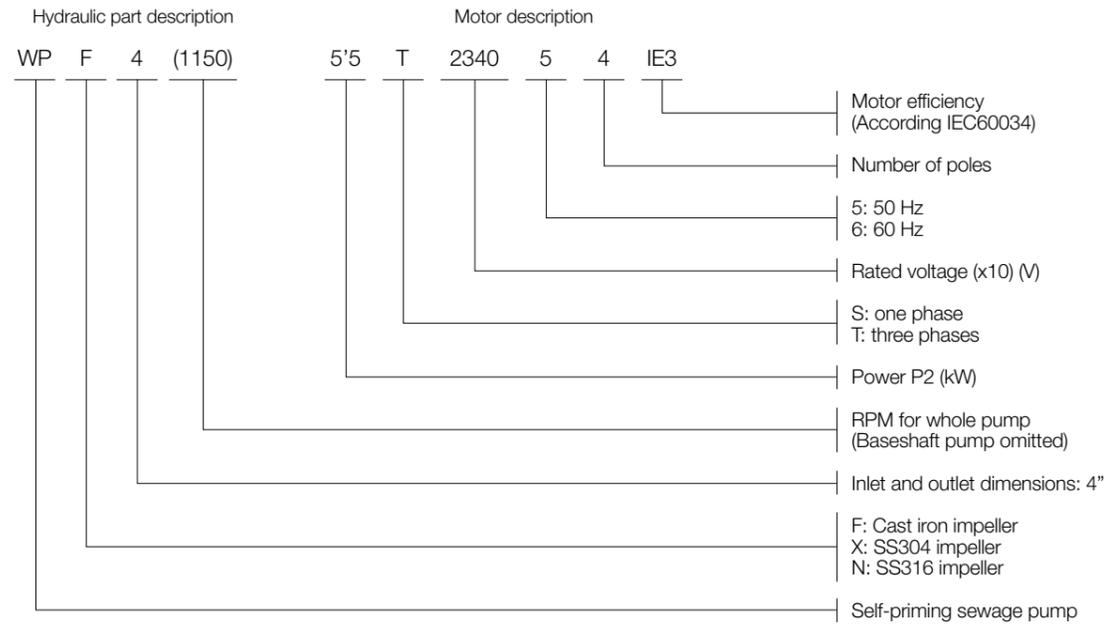
– If use the strainer, the face area of the strainer shall be 4 to 6 times than the radius of the pipe. And ensure the max. dia. of the strainer hole to pass granules shall be less than the granule pump allowed.



Flow rate (m/s) $\frac{\text{Flow (m}^3\text{/h)}}{\text{Section surface of the pipe (m}^2\text{)}}$

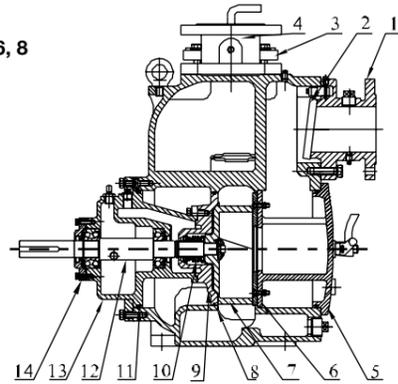
Suggested suction pipe submersible depth vs flow rate

Definition of model

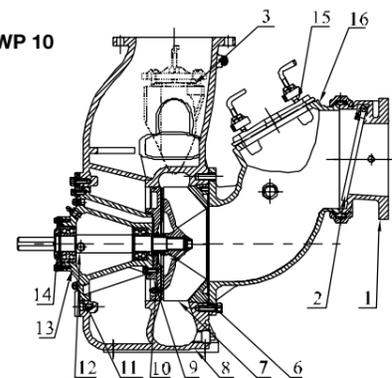


Section drawing

WP 2, 3, 4, 6, 8



WP 10

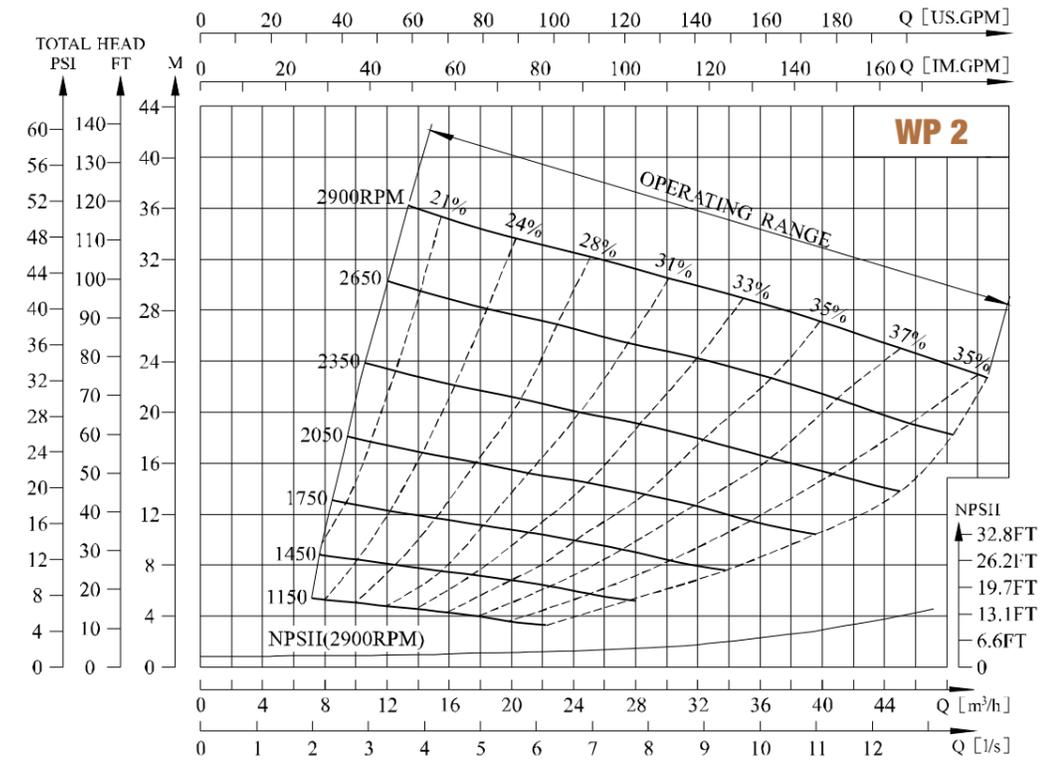


Material

N°	Parts	Material
1	Suction Inlet	Cast iron
2	Flap Valve	NBR + Carbon steel
3	Infusion Cover	Cast iron
4	Discharge Outlet	Cast iron
5	End Cover	Cast iron
6	Wear Plate	Carbon steel
7	Impeller	DCI Cast steel
8	Volute	Cast iron
9	Impeller Cover	Cast iron
10	Mechanical Seal	WC/ WC
11	O-Ring	NBR/FPM
12	Shaft	Stainless steel
13	Bearing Body	Cast iron
14	Bearing Cover	Cast Iron
15	Inlet cover	Cast iron
16	Inlet	Cast iron

WP 2

Performance curve



Performance table

Model	PRM	Q		H (m)	Motor		Inlet & Outlet	Max. Solids (mm)	Max. Suction Head (m)
		(m³/h)	(l/s)		(kW)	(hp)			
WP-2	1150	15	4.2	4.0	1.1	1.5	50 (2')	38	5.0
	1450*	20	5.6	6.5	1.5	2			6.5
	1750	25	6.9	9.5	3	4			6.5
	2050	28	7.8	13.5	4	5.5			6.5
	2350	32	8.9	18.0	7.5	10			6.5
	2650	35	9.7	23.0	7.5	10			6.5
	2900*	40	11.1	27.0	9.2	12.5			6.5

Operating table

Model	PRM	Q (m³/h)	10	12.5	15	17.5	20	25	30	35	40	45	
WP-2	1150	H (m)	5.1	4.7	4.0	3.8	3.5						
	1450*		8.4	8.1	7.6	7.3	6.5	5.8					
	1750		12.6	12.2	11.8	11.3	10.8	9.5	8.5				
	2050		17.9	17.2	16.7	16.1	15.5	14.5	13.2	11.6			
	2350			23.2	22.5	21.8	21.2	19.9	18.6	17.2	15.3		
	2650				30.1	29.2	28.4	27.6	26.2	24.8	23.0	21.6	19.4
	2900*						35.6	34.5	33.7	32.1	30.4	29	27.0

Note: (Suit for WP 1, 3, 4, 6, 8, 10)

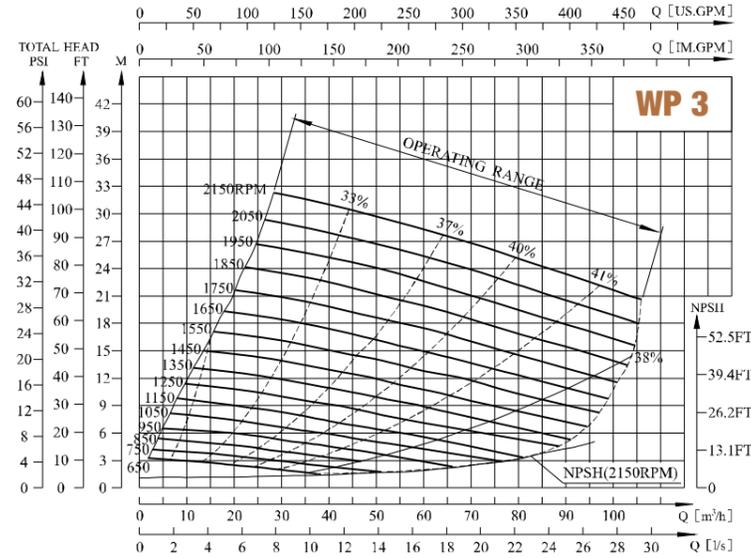
1) The performance is based on pumping clean water under normal temperature and min suction head is measured on sea level. For different installation way of pump, pump performance vary from flow rate, specific gravity, altitude, temperature. If the specific gravity of pumped medium is bigger than 1.2kg/dm³, please contact us.

2) For the rpm with (*) in the table, pump can be coupled with Y2 B3 series standard motor.

3) For other rpm, pump can be driven by triangle belt sheave.

WP 3

Performance curve



Performance table

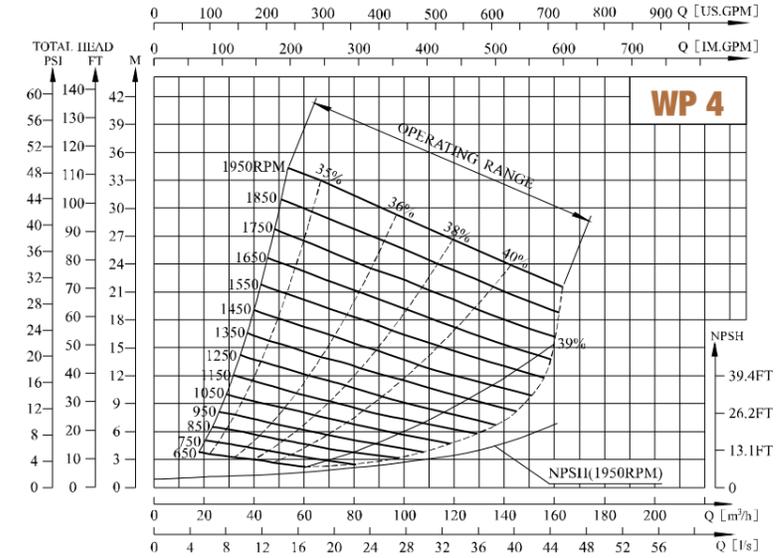
Model	PRM	Q		H (m)	Motor		Inlet & Outlet	Max. Solids (mm)	Max. Suction Head (m)
		(m³/h)	(l/s)		(kW)	(hp)			
WP-3	650	25	6.9	2	0.75	1	80 (3')	63	1.5
	750*	30	8.3	3	1.5	2			1.8
	850	32.5	9.0	4	1.5	2			2.4
	950*	40	11.1	4.5	1.5	2			3.0
	1050	42.5	11.8	5.5	3	4			4.0
	1150	45	12.5	7	4	5.5			4.9
	1250	50	13.9	8	4	5.5			5.5
	1350	52.5	14.6	10	5.5	7.5			5.8
	1450*	55	15.3	11.5	5.5	7.5			6.4
	1550	60	16.7	12.5	7.5	10			6.4
	1650	65	18.1	14.5	11	15			6.7
	1750	70	19.4	16	11	15			6.7
	1850	72.5	20.1	18	15	20			7.6
	1950	75	20.8	20	15	20			7.6
2050	80	22.2	22.5	18.5	25	7.6			
2150	85	23.6	24.5	18.5	25	7.6			

Operating table

Model	PRM	Q (m³/h)	10	20	30	40	50	60	70	80	90	100	
WP-3	650	H (m)	2.9	2.5	2.0								
	750*		3.9	3.5	3.0	2.3							
	850		5.2	4.7	3.9	3.4							
	950*		6.4	6.0	5.2	4.5	3.8						
	1050		7.9	7.4	6.7	5.9	5.0	4.3					
	1150		9.7	9.0	8.3	7.4	6.5	5.6					
	1250		11.3	10.7	10.0	9.1	8.0	7.1	6.2				
	1350			12.6	11.9	11.0	10.0	9.0	7.7				
	1450*			14.7	14.0	12.9	12.0	10.8	9.6	8.3			
	1550			16.8	16.1	15.1	14.0	12.5	11.7	10.4	9.1		
	1650			19.3	18.5	17.4	16.2	15.0	13.6	12.3	11.1		
	1750				20.9	19.7	18.7	17.5	16.0	14.5	13.2	11.8	
	1850				23.5	22.5	21.2	20.0	18.4	16.9	15.3	14.0	
	1950				26.2	25.3	24.1	22.7	21.0	19.6	17.9	16.4	
2050			29.0	28.0	26.8	25.3	24.0	22.5	20.5	18.9			
2150			32.1	31.0	29.7	28.2	26.8	25.1	23.4	21.7			

WP 4

Performance curve



Performance table

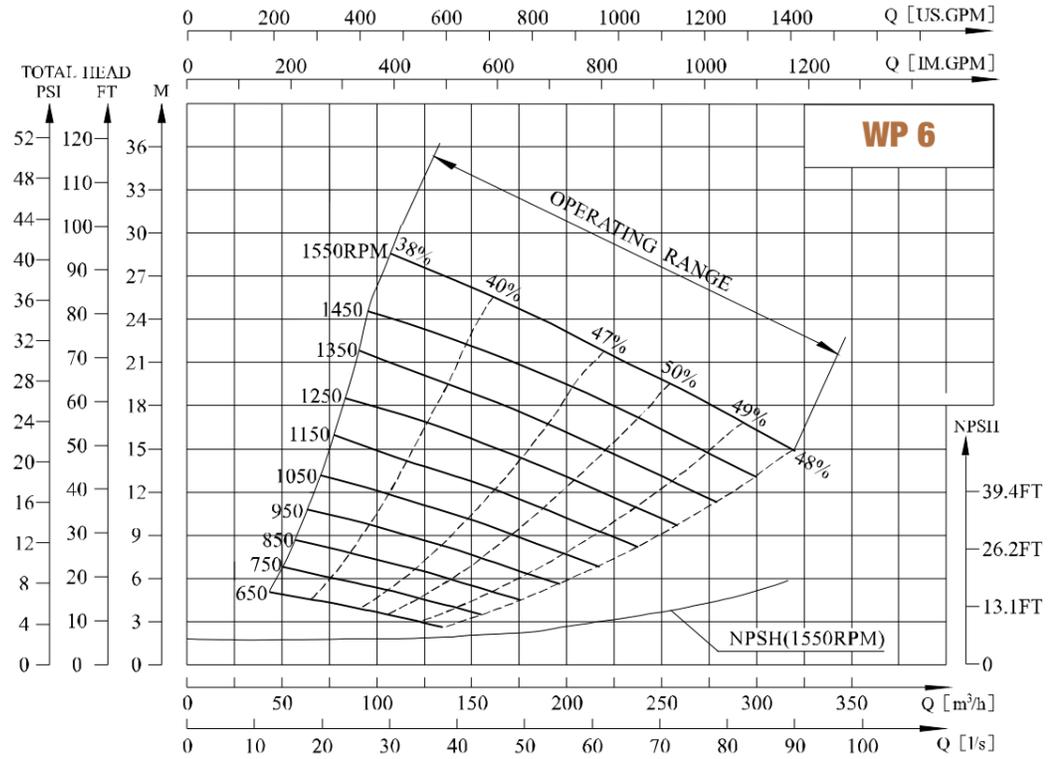
Model	PRM	Q		H (m)	Motor		Inlet & Outlet	Max. Solids (mm)	Max. Suction Head (m)
		(m³/h)	(l/s)		(kW)	(hp)			
WP-4	650	40	11.1	3	1.5	2	100 (4')	76	1.5
	750*	45	12.5	4	1.5	2			2.4
	850	53	14.7	5	2.2	3			4.9
	950*	60	16.7	6	3	4			5.8
	1050	65	18.1	7.5	5.5	7.5			6.7
	1150	72	20.0	9	5.5	7.5			7.3
	1250	80	22.2	10.5	7.5	10			7.6
	1350	85	23.6	12.5	11	15			7.6
	1450*	100	27.8	13.5	11	15			7.6
	1550	110	30.6	15.5	15	20			7.6
	1650	115	31.9	18	18.5	25			7.6
	1750	120	33.3	20	22	30			7.6
	1850	130	36.1	22.5	30	40			7.6
	1950	135	37.5	25	30	40			7.6

Operating table

Model	PRM	Q (m³/h)	20	32	48	64	80	96	112	128	144	160	
WP-4	650	H (m)	3.8	3.3	2.6								
	750*		4.5	3.7	3.0								
	850		6.0	5.3	4.5	3.5							
	950*		7.5	6.5	5.7	5.0							
	1050		9.7	8.7	7.8	6.8	5.9						
	1150		11.9	10.8	9.9	8.8	7.6						
	1250		14.2	13.2	12.0	10.8	9.5	8.4					
	1350		16.7	15.7	14.3	13.1	11.8	10.5					
	1450*			18.0	16.5	15.5	14.0	12.5	11.5				
	1550			20.9	19.8	18.3	16.9	15.4	13.8	12.6			
	1650			24.3	22.9	21.1	19.8	18.1	16.3	15.0			
	1750			27.6	26.2	24.4	22.9	21.3	19.3	17.5	16.2		
	1850				31.0	29.8	27.7	26.1	24.4	22.5	20.5	18.7	
	1950					34.5	33.4	31.5	29.4	27.7	25.7	23.5	21.7

WP 6

Performance curve



Performance table

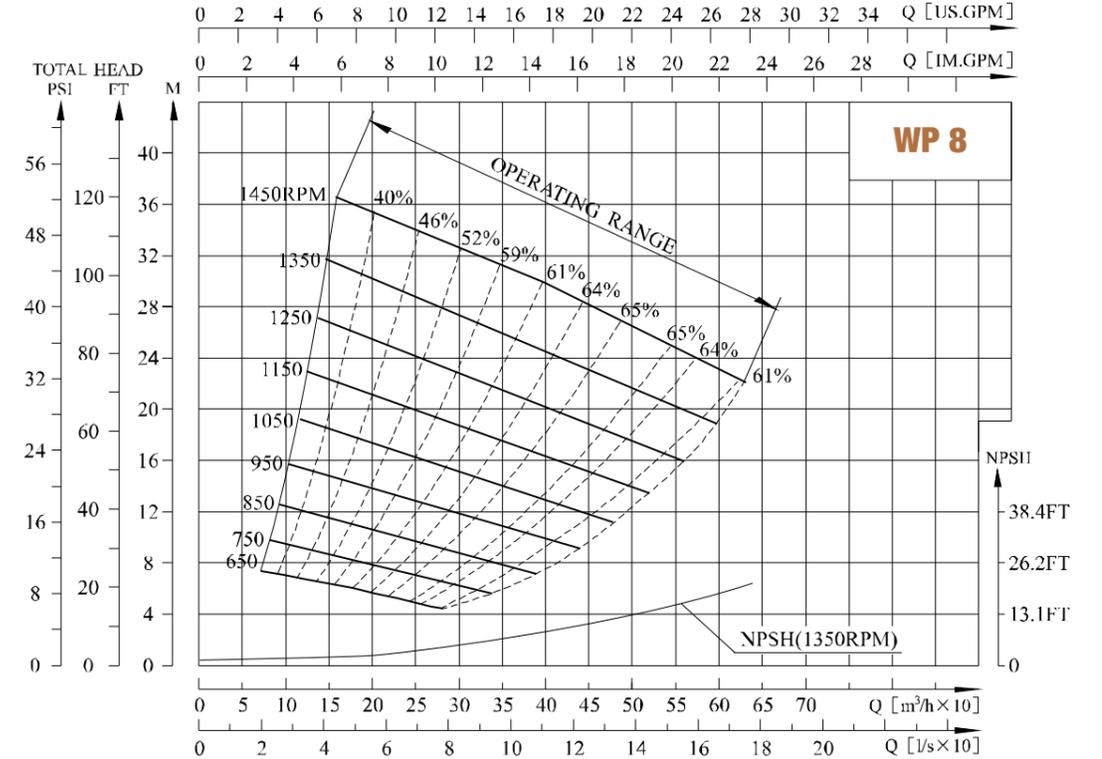
Model	PRM	Q		H (m)	Motor		Inlet & Outlet	Max. Solids (mm)	Max. Suction Head (m)
		(m³/h)	(l/s)		(kW)	(hp)			
WP-6	650	100	27.8	3.5	3	4	150 (6')	76	2.4
	750*	125	34.7	4.5	4	5.5			2.7
	850	150	41.7	5.5	7.5	10			3.6
	950*	160	44.4	7.5	7.5	10			4.2
	1050	180	50.0	9.0	11	15			5.5
	1150	200	55.6	10.0	15	20			6.4
	1250	220	61.1	12.5	22	30			6.4
	1350	230	63.9	15.0	30	40			6.7
	1450*	250	69.4	17.0	30	40			7.0
	1550	280	77.8	18.0	37	50			7.6

Operating table

Model	PRM	Q (m³/h)	50	80	120	150	180	210	240	270	300	
WP-6	650	H (m)	5.0	4.2	3.1							
	750*		6.0	4.7	3.6							
	850		8.0	7.0	5.5							
	950*		11.0	9.5	7.5	6.8						
	1050		13.0	11.0	10.0	9.0	7.5					
	1150		16.0	14.0	12.8	11.2	10.0	8.0				
	1250		17.0	15.5	14.0	12.7	10.5					
	1350		20.5	19.0	17.5	15.5	14.0	12.0				
	1450*		24.0	22.0	21.0	19.0	17.0	15.0	13.0			
	1550		28.0	26.0	24.5	22.7	20.5	18.5	16.5			

WP 8

Performance curve



Performance table

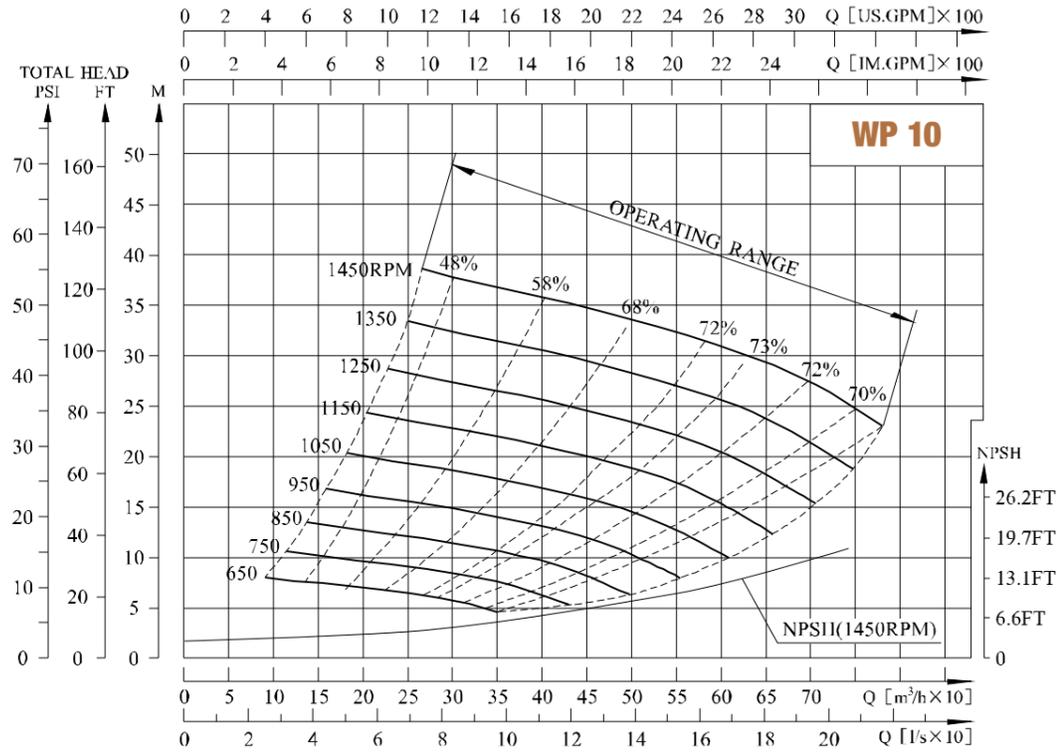
Model	PRM	Q		H (m)	Motor		Inlet & Outlet	Max. Solids (mm)	Max. Suction Head (m)
		(m³/h)	(l/s)		(kW)	(hp)			
WP-8	650	200	55.6	6	7.5	10	200 (8')	76	2.7
	750*	230	63.9	8	11	15			3.7
	850	260	72.2	10	15	20			4.6
	950*	300	83.3	12	22	30			5.2
	1050	320	88.9	15	30	41			6.1
	1150	350	97.2	18	37	50			6.4
	1250	400	111.1	20	55	75			6.7
	1350	450	125.0	23	75	102			7
	1450*	500	138.9	26	75	102			7

Operating table

Model	PRM	Q (m³/h)	100	150	200	250	300	350	400	450	500	580	
WP-8	650	H (m)	7.0	6.5	6.0	5.0							
	750*		8.8	8.5	7.5	6.5							
	850		11.5	11.0	10.0	9.0	8.0						
	950*		15.0	14.0	13	12.0	11.0						
	1050		18.5	17.5	16.5	15.5	14.0	13.0					
	1150		21.5	20.3	19.0	18.0	16.5	15.5					
	1250		25.5	24.5	23.0	22.0	20.0	19.0	18.0				
	1350		30.5	29.0	27.8	26.0	25.0	23.0	22.0				
	1450*		35.5	34.0	32.0	31.0	30.0	28.0	26.0	23.0			

WP 10

Performance curve



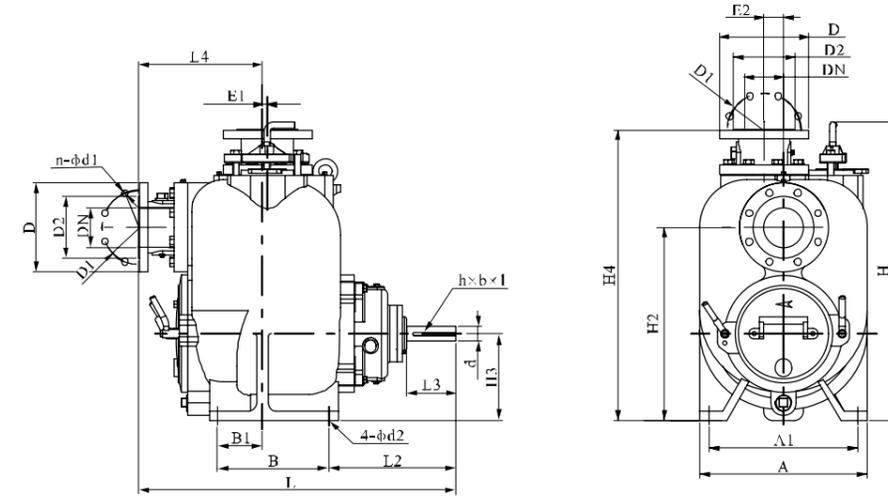
Performance table

Model	PRM	Q		H (m)	Motor		Inlet & Outlet	Max. Solids (mm)	Max. Suction Head (m)
		(m³/h)	(l/s)		(kW)	(hp)			
WP-10	650	250	69	6.5	11	15	250 (10')	76	2.4
	750*	300	83	8.5	15	20			2.7
	850	350	97	11	22	30			3.6
	950*	400	111	13	30	41			4.2
	1050	450	125	16	45	61			5.5
	1150	500	139	19	55	75			6.4
	1250	525	146	23	75	102			6.4
	1350	550	153	27	90	122			6.7
	1450*	600	167	31	90	122			7.0

Operating table

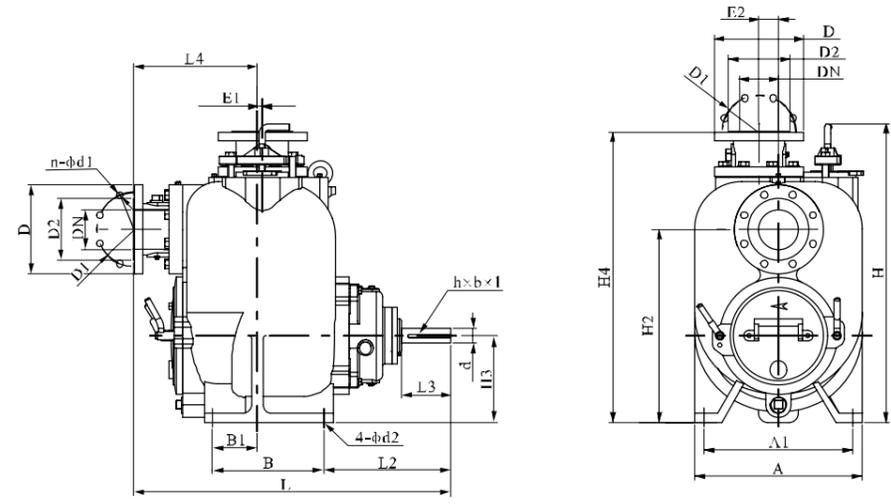
Model	PRM	Q (m³/h)	200	300	400	450	500	550	600	650	700	750
WP-10	650	H (m)	7.0	6.5								
	750*		10.0	8.5	6.0							
	850		13.0	11.5	10.0	8.0						
	950*		16.0	15.0	13.0	12.0	10.0					
	1050		20.0	19.0	17.0	16.0	14.5	12.5				
	1150			23.0	21.0	20.0	19.0	17.5	15.0			
	1250			27.5	25.5	24.5	23.5	22.0	20.5	18.0		
	1350			32.5	30.5	29.5	28.0	27.0	25.5	23.5	21.5	
1450*		38.0	36.0	35.0	33.5	32.0	31.0	29.5	2.5	24.5		

Pump profile and installation dimension

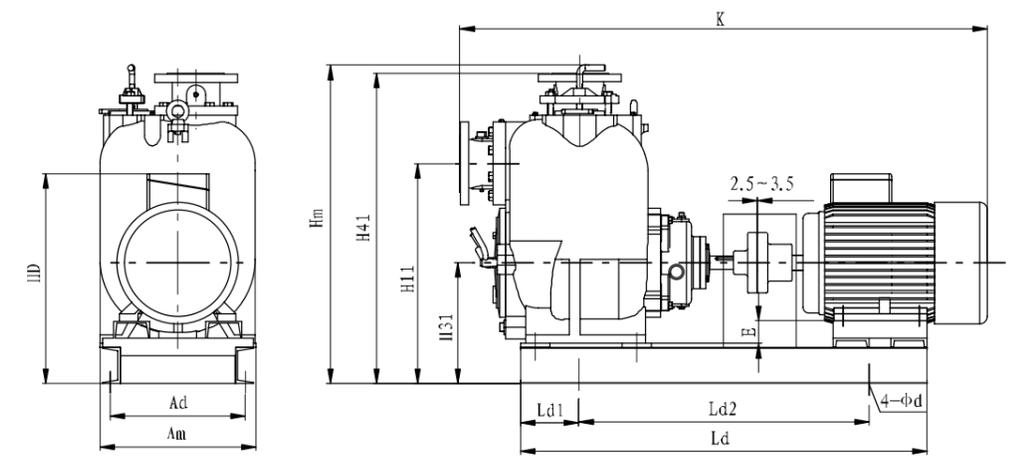


Item		WP-2	WP-3	WP-4	WP-6	WP-8	WP-10
Dimension of Inlet & Outlet Flange DIN (mm)/ ANSI (in)	PN	PN0.6MPa/ Class 150 lb		PN1.0MPa/ Class 150 lb		PN1.6MPa/ Class 150 lb	
	DN	50/2'	80/3'	100/4'	150/6'	200/8'	250/10'
	D	140/6'	190/7.5'	228.6/9'	285/11'	340/13.5'	405/15'
	D1	110/4.75'	150/6'	180/7.5'	240/9.5'	295/11.75'	355/14.25'
	D2	90/3.6'	127/5'	158/6.19'	212/8.3'	266/10.62'	320/12.75'
	n-d1	4-14/0.75'	4-19/0.75'	8-19/0.75'	8-23/0.88'	8-23/0.88'	12-26/1'
	hxbxl	10x5x95	10x5x80	10x5'90	10x5x95	14x3.5x127	14x 3.5x120
Installation Dimension DIN (mm)/ ANSI (in)	H2	318/12.51'	431.8/17'	495.3/19.5'	574.3/22.61'	723.8/28.5'	639.8/25.19'
	A	308/12.13'	377/14.84'	428/16.85'	580/22.83'	716/28.19'	705/27.75'
	A1	281/11.06'	328/12.91'	373/14.69'	527/20.75'	635/25'	635/25'
	B	163.2/6.42'	228.6/9'	279.4/11'	279.4/11'	304.8/12'	304.8/12'
	B1	54/2.12'	76.2/3'	110/4.33'	77.8/3.06'	101.6/4'	101.6/4'
	L2	274.8/10.82'	285/11.22'	326/12.83'	294/11.57'	407.1/16.03'	320.6/12.63'
	d2	14/0.55'	18/0.71'	18/0.71'	18/0.71'	24/0.88'	24/0.88'
	H3	151.5/5.96'	190.5/7.5'	222.2/8.75'	257.2/10.13'	330.2/13'	355.6/14'
	L3	104/4.09'	102/4.02'	127/5'	127/5'	170/6.69'	123/4.84'
	d	38/1.50'	38/1.5'	38/1.5'	38/1.5'	48/1.75'	48/1.75'
	H	552/21.73'	697.5/27.46'	760/29.92'	875/34.45'	989/38.94'	1017/40.04'
	Am	321/12.64'	389/15.31'	429/16.89'	580/22.83'	716/28.19'	786/30.94'
	H4	502/19.16'	652/25.67'	735/28.94'	887.7/34.95'	1069.3/42.06'	1047.8/41.25'
	Profile Dimension DIN (mm)/ ANSI (in)	L	615/24.21'	712.2/28.04'	813.5/32.03'	906.6/35.69'	1023/40.28'
L4		233/9.17'	277/10.91'	318/12.52'	411/16.18'	412.8/16.25'	720.9/28.38'
E1		27.5/1.08'	15/0.59'	13/0.51'	0	0	0
E2		70/2.76'	50/2'	50/2'	50/2'	0	0
Wt.	(Kg/lbs)	99/218	190/419	275/606	438/966	655/1445	705/1555

Pump profile and installation dimension



Profile and installation dimension of coupled pump set



Item		WP-2	WP-3	WP-4	WP-6	WP-8	WP-10
Dimension of Inlet & Outlet Flange DIN (mm)/ ANSI (in)	PN	PN0.6MPa/ Class 150 lb		PN1.0MPa/ Class 150 lb		PN1.6MPa/ Class 150 lb	
	DN	50/2'	80/3'	100/4'	150/6'	200/8'	250/10'
	D	140/6'	190/7.5'	228.6/9'	285/11'	340/13.5'	405/15'
	D1	110/4.75'	150/6'	180/7.5'	240/9.5'	295/11.75'	355/14.25'
	D2	90/3.6'	127/5'	158/6.19'	212/8.3'	266/10.62'	320/12.75'
	n-d1	4-14/0.75'	4-19/0.75'	8-19/0.75'	8-23/0.88'	8-23/0.88'	12-26/1'
	h×b×l	10×5×95 0.38'×0.19'×3.74'	10×5×80 0.38'×0.19'×3'	10×5×90 0.38'×0.19'×3.5'		14×3.5×127 0.38'×0.19'×5'	
Installation Dimension DIN (mm)/ ANSI (in)	H2	318/12.51'	431.8/17'	495.3/19.5'	574.3/22.61'	723.8/28.5'	639.8/25.19'
	A	308/12.13'	377/14.84'	428/16.85'	580/22.83'	716/28.19'	705/27.75'
	A1	281/11.06'	328/12.91'	373/14.69'	527/20.75'	635/25'	635/25'
	B	163.2/6.42'	228.6/9'	279.4/11'	279.4/11'	304.8/12'	304.8/12'
	B1	54/2.12'	76.2/3'	110/4.33'	77.8/3.06'	101.6/4'	101.6/4'
	L2	274.8/10.82'	285/11.22'	326/12.83'	294/11.57'	407.1/16.03'	320.6/12.63'
	d2	14/0.55'	18/0.71'	18/0.71'	18/0.71'	24/0.88'	24/0.88'
	H3	151.5/5.96'	190.5/7.5'	222.2/8.75'	257.2/10.13'	330.2/13'	355.6/14'
	L3	104/4.09'	102/4.02'	127/5'	127/5'	170/6.69'	123/4.84'
	d	38/1.50'	38/1.5'	38/1.5'	38/1.5'	48/1.75'	48/1.75'
	H	552/21.73'	697.5/27.46'	760/29.92'	875/34.45'	989/38.94'	1017/40.04'
	Am	321/12.64'	389/15.31'	429/16.89'	580/22.83'	716/28.19'	786/30.94'
	H4	502/19.16'	652/25.67'	735/28.94'	887.7/34.95'	1069.3/42.06'	1047.8/41.25'
Profile Dimension DIN (mm)/ ANSI (in)	L	615/24.21'	712.2/28.04'	813.5/32.03'	906.6/35.69'	1023/40.28'	1244.7/49'
	L4	233/9.17'	277/10.91'	318/12.52'	411/16.18'	412.8/16.25'	720.9/28.38'
	E1	27.5/1.08'	15/0.59'	13/0.51'	0	0	0
	E2	70/2.76'	50/2'	50/2'	50/2'	0	0
Wt.	(Kg/lbs)	99/218	190/419	275/606	438/966	655/1445	705/1555

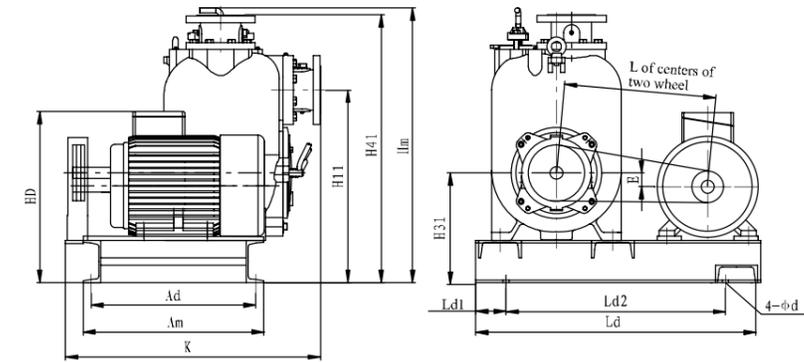
Model	Motor		Dimensions							Dimensions					
	Power (kW)	Model	Ad	Ld1	Ld2	d	H11	H31	H41	K	Am	Hm	HD	E	Ld
WP-2 (1450)	1.5	Y2-90L-4	300	77.5	617	20	428	261.5	612	986	341	662	416.5	61.5	772
WP-2 (2900)	9.2	O2-1325-2	300	77.5	695	20	428	261.5	612	1110	341	662	471.5	19.5	850
WP-3 (750)	1.5	O2-1128-8	330	120	621	20	541.8	300.5	762.2	1134	370	800	490.5	78.5	861
WP-3 (950)	1.5	Y2-100L-6	330	120	614	20	541.8	300.5	762.2	1119	370	800	480.5	90.5	854
WP-3 (1450)	5.5	Y2-132S1-4	330	120	660	20	541.8	300.5	762.2	1204	370	800	510.5	58.5	900
WP-4 (750)	1.5	O2-1128-8	370	150	663	20	605.3	332.2	843.6	1236	430	887.3	522.2	110.2	963
WP-4 (950)	3	O2-1325-6	370	150	702	20	605.3	332.2	843.6	1306	430	887.3	542.2	90.2	1002
WP-4 (1450)	11	Y2-160M-4	370	150	821	20	605.3	332.2	843.6	1451	430	887.3	587.2	62.2	1121
WP-6 (750)	4	O2-16081-8	510	150	784	20	710.3	393.2	1023.7	1544	590	1024	648.2	97.2	1084
WP-6 (950)	7.5	Y2-160M-6	510	150	784	20	710.3	393.2	1023.7	1544	590	1024	648.2	97.2	1084
WP-6 (1450)	30	Y2-200L-4	510	150	905	20	710.3	393.2	1023.7	1705	590	1024	698.2	57.2	1205
WP-8 (750)	11	52-180L-8	640	150	1050	24	904	510.2	1250	1767	716	1250	790	150.2	1350
WP-8 (950)	22	Y2-200L2-6	640	150	1085	24	904	510.2	1250	1769	716	1250	815	130.2	1385
WP-8 (1450)	75	O2-2805-4	640	150	1264	24	904	510.2	1250	2012	716	1250	1020	50.2	1564
WP-10 (750)	15	O2-200L-8	640	150	1050	24	820	535.6	1227.8	2020	786	1228	880.6	155.6	1350
WP-10 (950)	30	O2-2258-6	640	150	1050	24	820	535.6	1227.8	2095	786	1228	865.6	130.6	1350
WP-10 (1450)	90	O2-2808-4	640	150	1240	24	820	535.6	1227.8	2285	786	1228	935.6	75.6	1540

WP pump belt sheave data

Model	Motor		Belt sheave at motor end		Belt sheave at pump end		Triangle belt		
	Power (kW)	Model	Model	OD of belt sheave (mm)	Model	OD of belt sheave (mm)	Model	Fiducial length	Nos.
WP-2(1150)	1.1	Y2-90S-4	VA2-85	90.5	VA2-100	105.5	Belt A	990	2
WP-2(1750)	3	Y2-100L-2	VA4-85	90.5	VA4-132	137.5	Belt A	1100	4
WP-2(2050)	4	Y2-112M-2	V03-100	105.5	VA3-132	137.5	Belt A	1100	3
WP-2(2350)	7.5	Y2-132S2-2	100,4-100	105.5	VA4-120	125.5	Belt A	1250	4
WP-2(2650)	7.5	Y2-132S2-2	VA.3-118	123.5	VA3-125	130.5	Belt A	1250	3
WP-3(650)	0.75	Y2-80M2-4	VA2-80	85.5	VA2-160	165.5	Belt A	1250	2
WP-3(850)	1.5	Y2-90L-4	VA2-80	85.5	VA2-125	130.5	Belt A	1250	2
WP-3(1050)	3	Y2-100L-6	VA3-90	95.5	VA3-120	125.5	Belt A	1250	3
WP-3(1150)	4	Y2-112M-4	VA3-100	105.5	VA3-120	125.5	Belt A	1430	3
WP-3(1250)	4	Y2-112M-4	VA3-100	105.5	VA3-112	117.5	Belt A	1430	3
WP-3(1350)	5.5	Y2-132S1-4	VA4-125	130.5	VA4-130	135.5	Belt A	1430	4
WP-3(1550)	7.5	Y2-132S2-2	VA3-125	130.5	VA3-224	229.5	Belt A	1430	3
WP-3(1650)	11	Y2-160M1-2	VA4-125	130.5	VA4-212	217.5	Belt A	1560	4
WP-3(1750)	11	Y2-160M1-2	VA4-125	130.5	VA4-200	205.5	Belt A	1560	4
WP-3(1850)	15	Y2-160M2-2	VB4-132	139	VB4-200	207	Belt B	1560	4
WP-3(1950)	15	Y2-160M2-2	VB4-125	132	VB4-180	187	Belt B	1560	4
WP-3(2050)	18.5	Y2-160L-2	VB4-160	167	VB4-224	231	Belt B	1560	4
WP-3(2150)	18.5	Y2-160L-2	VB4-160	167	VB4-212	219	Belt B	1560	4
WP-4(650)	1.5	Y2-90L-4	VA2-85	90.5	VA2-180	185.5	Belt A	1560	2
WP-4(850)	2.2	Y2-100L1-4	VA3-90	95.5	VA2-150	155.5	Belt A	1430	2
WP-4(1050)	5.5	Y2-132S-4	VA3-125	130.5	VA3-160	165.5	Belt A	1430	3
WP-4(1150)	5.5	72-132S-4	VA3-125	130.5	VA3-150	155.5	Belt A	1550	3
WP-4(1250)	7.5	72-13211-4	VA4-125	130.5	VA4-140	145.5	Belt A	1550	4
WP-4(1350)	11	Y2-16011-4	VB4-160	167	VB4-170	177	Belt B	1550	4
WP-4(1550)	15	Y2-160112-2	VB3-180	187	VB3-315	322	Belt B	1950	3
WP-4(1650)	18.5	Y2-160L-2	VB4-150	157	VB4-250	257	Belt B	1950	4
WP-4(1750)	22	Y2-18011-2	VB4-180	187	VB4-280	287	Belt B	1950	4
WP-4(1850)	30	Y2-200L1-2	VC4-212	209.6	VC4-315	324.6	Belt C	1950	4
WP-4(1950)	30	Y2-200L1-2	VC4-250	239.6	VC4-355	364.6	Belt C	1950	4
WP-6(650)	3	Y2-100L2-4	VA2-85	91	VA2-180	185.5	Belt A	1550	2
WP-6(850)	7.5	Y2-13211-4	VB4-125	132	VB4-200	207	Belt B	1760	4
WP-6(1050)	11	Y2-16011-6	VB3-170	177	VB3-224	231	Belt B	1950	3
WP-6(1150)	15	Y2-160L-4	VB4-170	177	VB4-200	207	Belt B	1950	4
WP-6(1250)	22	Y2-180L-4	VC4-224	234	VC4-250	260	Belt C	1950	4
WP-6(1350)	30	Y2-200L-4	VC4-250	260	4C4-265	275	Belt C	2195	5
WP-6(1550)	37	Y2-225S-4	VC4-300	310	VC4-280	290	Belt C	2195	4
WP-8(650)	7.5	Y2-16011-6	VB3-125	132	VB3-180	187	Belt B	1950	3
WP-8(850)	15	Y2-180L-6	VB4-200	207	VB4-224	231	Belt B	1950	4
WP-8(1050)	30	Y2-200L-4	VC4-224	233.6	VC4-315	324.6	Belt C	2420	4
WP-8(1150)	37	Y2-225S-4	VC4-280	289.6	VC4-355	364.6	Belt C	2420	4
WP-8(1250)	55	Y2-25014-4	VC4-280	289.6	VC4-315	324.6	Belt C	2420	4
WP-8(1350)	75	Y2-280S-4	VD4-355	371.2	VD4-375	391.2	Belt D	2740	4
WP-10(650)	11	Y2-160L-6	VB4-140	147	VB4-200	207	Belt B	1950	4
WP-10(850)	22	Y2-200L2-6	VC4-224	233.6	VC4-250	259.6	Belt C	2195	4
WP-10(1050)	45	Y2-2251,1-4	VC4-250	259.6	VC4-355	364.6	Belt C	2420	4
WP-10(1150)	55	Y2-25019-4	VC4-315	324.6	VC4-400	409.6	Belt C	2715	4
WP-10(1250)	75	Y2-280S-4	VD4-355	371.2	VD4-425	441.2	Belt D	2740	4
WP-10(1350)	90	Y2-28014-4	VD4-355	371.2	VD4-375	391.2	Belt D	2740	4

Note for table: Belt sheave complies with GB/T10412 rule; belt complies with GB/T 11544 rule.

Profile and installation dimension of Δ-belt drives pump set



Model	Motor		Dimensions							Dimensions						
	Power (kW)	Model	Ad	Ld1	Ld2	d	H11	H31	H41	L	Ld	K	Hm	Am	HD	E
WP-2(1150)	1.1	Y2-90S-4	375	100	515	20	438	271.5	622	350	715	655	672	423	375	72
WP-2(1750)	3	Y2-100L-2	359	100	550	20	438	271.5	622	375	750	655	672	407	410	62
WP-2(2050)	4	Y2-11211-2	352	100	560	20	438	271.5	622	363	760	655	672	400	432	50
WP-2(2350)	7.5	Y2-132S2-2	313	100	670	20	438	271.5	622	451	870	655	672	361	472	30
WP-2(2650)	7.5	Y2-13292-2	313	100	650	20	438	271.5	622	433	850	655	672	361	472	30
WP-3(650)	0.75	Y2-80M2-4	467	100	609	20	552	310.5	772	428	808	752	818	514	355	121
WP-3(850)	1.5	Y2-90L-4	451	100	651	20	552	310.5	772	460	854	752	818	498	375	111
WP-3(1050)	3	Y2-100L2-4	435	100	662	20	552	310.5	772	459	866	752	818	482	410	101
WP-3(1150)	4	Y2-11211-4	428	100	767	20	552	310.5	772	540	967	752	818	475	432	89
WP-3(1250)	4	Y2-11211-4	428	100	774	20	552	310.5	772	548	974	752	818	475	432	89
WP-3(1350)	5.5	Y2-132S1-4	389	100	756	20	552	310.5	772	514	956	752	818	436	472	69
WP-3(1550)	7.5	Y2-132S2-2	389	100	675	20	552	310.5	772	434	875	752	818	436	472	69
WP-3(1650)	11	Y2-160111-2	341	100	776	20	552	310.5	772	509	975	752	818	389	545	41
WP-3(1750)	11	Y2-160111-2	341	100	786	20	552	310.5	772	519	986	752	818	389	545	41
WP-3(1850)	15	Y2-160112-2	341	100	781	20	552	310.5	772	514	981	752	818	389	545	41
WP-3(1950)	15	Y2-160142-2	341	100	003	20	552	310.5	772	536	1003	752	818	389	545	41
WP-3(2050)	18.5	Y2-160L-2	341	100	744	20	552	310.5	772	477	944	752	818	389	545	41
WP-3(2150)	18.5	Y2-160L-2	341	100	753	20	552	310.5	772	486	953	752	818	389	545	41
WP-4(650)	1.5	Y2-90L-4	545	100	722	20	635.3	362.2	875	499	922	855	900	600	395	142.2
WP-4(850)	2.2	Y2-100L1-4	529	100	761	20	635.3	362.2	875	525	961	855	900	584	430	132.2
WP-4(1050)	5.5	Y2-132S-4	483	100	818	20	635.3	362.2	875	543	1018	855	900	538	492	100.2
WP-4(1150)	5.5	Y2-132S-4	483	100	830	20	635.3	362.2	875	555	1030	855	900	538	492	100.2
WP-4(1250)	7.5	Y2-13211-4	483	100	840	20	635.3	362.2	875	565	1040	855	900	538	492	100.2
WP-4(1350)	11	Y2-160M-4	436	100	818	20	635.3	362.2	875	521	1018	855	900	491	565	72.2
WP-4(1550)	15	Y2-160112-2	436	100	876	20	635.3	362.2	875	567	1076	855	900	491	565	72.2
WP-4(1650)	18.5	Y2-160L-2	436	100	959	20	635.3	362.2	875	649	1159	855	900	491	565	72.2
WP-4(1750)	22	Y2-18011-2	423	100	922	20	635.3	362.2	875	599	1122	855	900	478	610	52.2
WP-4(1850)	30	Y2-200L1-2	413	100	900	20	635.3	362.2	875	547	1100	855	900	468	655	32.2
WP-4(1950)	30	Y2-200L1-2	413	100	870	20	635.3	362.2	875	526	1070	855	900	468	655	32.2
WP-6(650)	3	Y2-100L2-4	497	100	886	20	714.3	397.2	1027.7	562	1096	947	1030	552	462	135.2
WP-6(850)	7.5	Y2-13211-4	451	100	970	20	714.3	397.2	1027.7	618	1180	947	1030	506	492	135.2
WP-6(1050)	11	Y2-160M-4	404	100	1045	20	714.3	397.2	1027.7	659	1255	947	1030	459	565	107.2
WP-6(1150)	15	Y2-160L-4	404	100	1061	20	714.3	397.2	1027.7	675	1271	947	1030	459	565	107.2
WP-6(1250)	22	Y2-180L-4	391	100	1013	20	714.3	397.2	1027.7	596	1223	947	1030	446	610	87.2
WP-6(1350)	30	Y2-200L-4	381	100	1130	20	714.3	397.2	1027.7	692	1340	947	1030	436	655	67.2
WP-6(1550)	37	Y2-225S-4	335	100	1127	20	714.3	397.2	1027.7	662	1337	947	1030	390	710	42.2
WP-8(650)	7.5	Y2-160M-6	614	150	1060	24	924	530.2	1269.3	733	1375	1043	1270	675	615	170.2
WP-8(850)	15	Y2-180L-6	599	150	1000	24	924	530.2	1269.3	642	1315	1043	1270	660	660	150.2
WP-8(1050)	38	Y2-200L-4	599	150	1200	24	924	530.2	1269.3	792	1515	1054	1270	660	705	130.2
WP-8(1150)	37	Y2-225S-4	549	150	1130	24	924	530.2	1269.3	712	1445	1054	1270	610	760	105.2
WP-8(1250)	55	Y2-250M-4	549	150	1150	24	924	530.2	1269.3	735	1465	1054	1270	610	820	80.2
WP-8(1350)	75	Y2-280S-4	514	150	1260	24	924	530.2	1269.3	792	1575	1095	1270	575	890	50.2
WP-10(650)	11	Y2-160L-6	529	150	1040	24	839.8	555.6	1247.8	704	1375	1270	1248	590	615	195.6
WP-10(850)	22	Y2-200L2-6	509	150	1100</											